

TECHNICAL DATA SHEET

RADIAL FAN nr. AFGG-35_08



G&G filtration CZ, s.r.o.

A Hrubínova 1903/9, 66451 Šlapanice, CZ
 IČ 05226953 IČ DPH CZ05226953
 E info@ggf.cz W www.ggf.cz

ITEM1

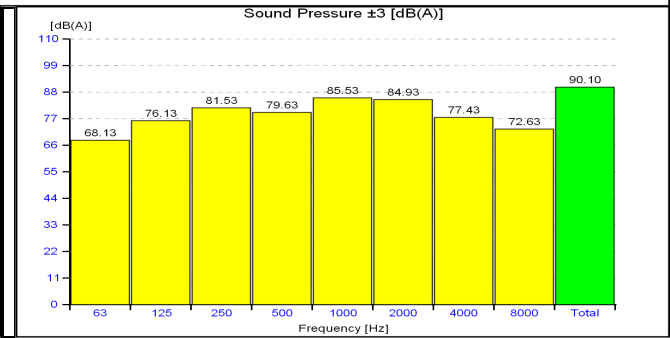
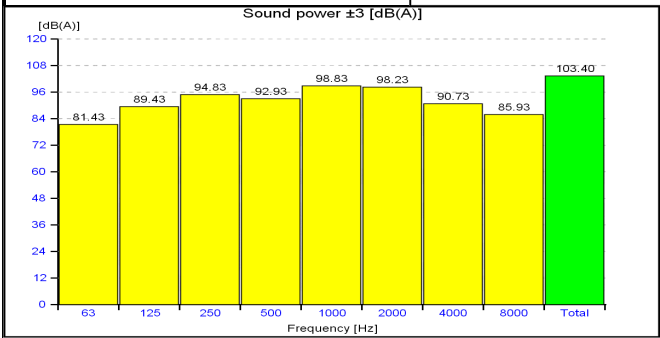
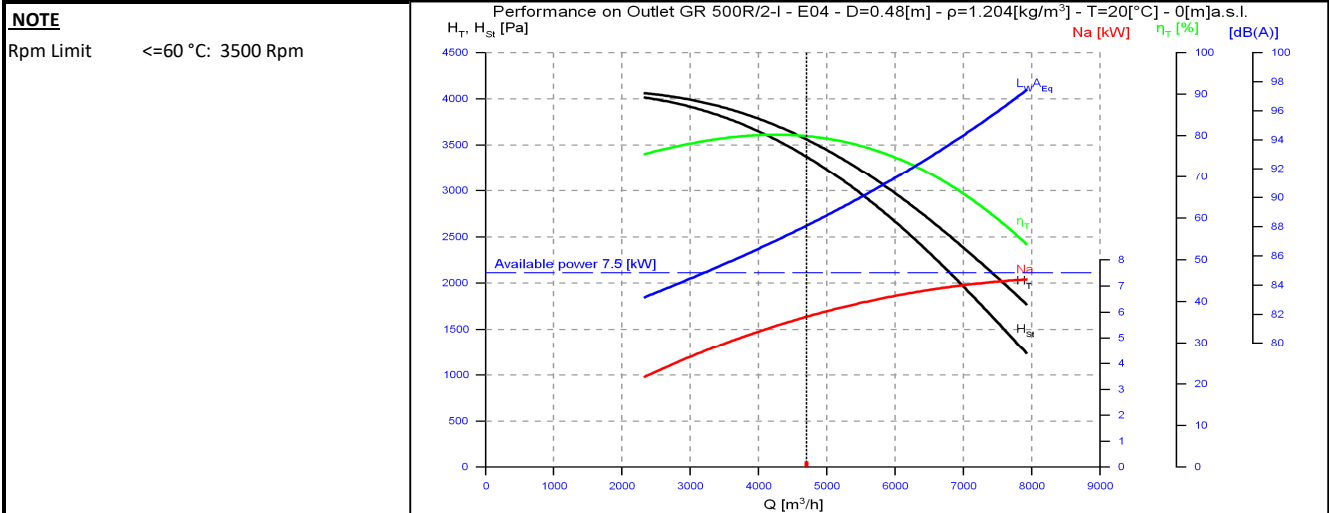
Document printed by Aeraulica - Dimensions and performances can be changed without prior notice

Type and characteristics of the requested machine		performance on		Outlet
Flow rate	4700 [m3/h]	Capacity (Normal)		4379 [Nm3/h]
Total pressure	3550 [Pa]	Static pressure		
Working fluid temperature	20 [°C]	Fluid specific weight		1.204 [Kg/m3]
Installation altitude	0 asl [m]	Specific weight std (20 [°C], 0 asl [m])		1.204 [Kg/m3]

Suggested model and effective characteristics				performance on		Outlet
Model	GR 500R/2-I	Execution	E04	Installation Type	A (free inlet and outlet)	
Fluid specific weight	1.204	1.204 [Kg/m3]		Revolution fan speed		2930 [rpm]
Total pressure	3559	3559 [Pa]		Orientation		RD 0
Static pressure	3370	3370 [Pa]		Sound power LwA		103.4 [dB(A)]
Flow rate	4700	4700 [m3/h]		Sound pressure at mt.1.5 1/2 sf in open field		90.1 [dB(A)]
Capacity (Normal)	4379	4379 [Nm3/h]		Pipings	s>3mm = +3dB; 1mm<s<3mm = +4,5dB; s<1mm = +6dB	
Power dem. at shaft	5.815	5.815 [kW]		Fan efficiency	Outlet	79.9 %
Motor power demand	5.815	5.815 [kW]				

Characteristics of chosen motor				Motor efficiency IEC 60034-30			PD ² impeller	
Code	132SB2-50/std3	shape	B3	Efficiency	90.1	91	91	1.8 kgm ²
Rated power	7.5 [kW]	n° poles	2	rpm	2950	Load	100%	75%
							50%	90%
								PD ² needed 1.78 kgm ²
								PD ² motor 9 kgm ²

ErP 2009/125/CE Regulament (UE) N. 327/2011		Notes	
Efficiency grade	64	N	75.3
Impeller type	backward blades	Type of test	B/total
		Flow rate	4259.86 [m3/h]
		Pressure	3553 [Pa]
		Total efficiency	72.97 %



values of the noise of fan obtained in ambient not reverberant with inlet and outlet ducts fully insulated

TECHNICAL DATA SHEET

RADIAL FAN nr. AFGG-35_08



G&G filtration CZ, s.r.o.

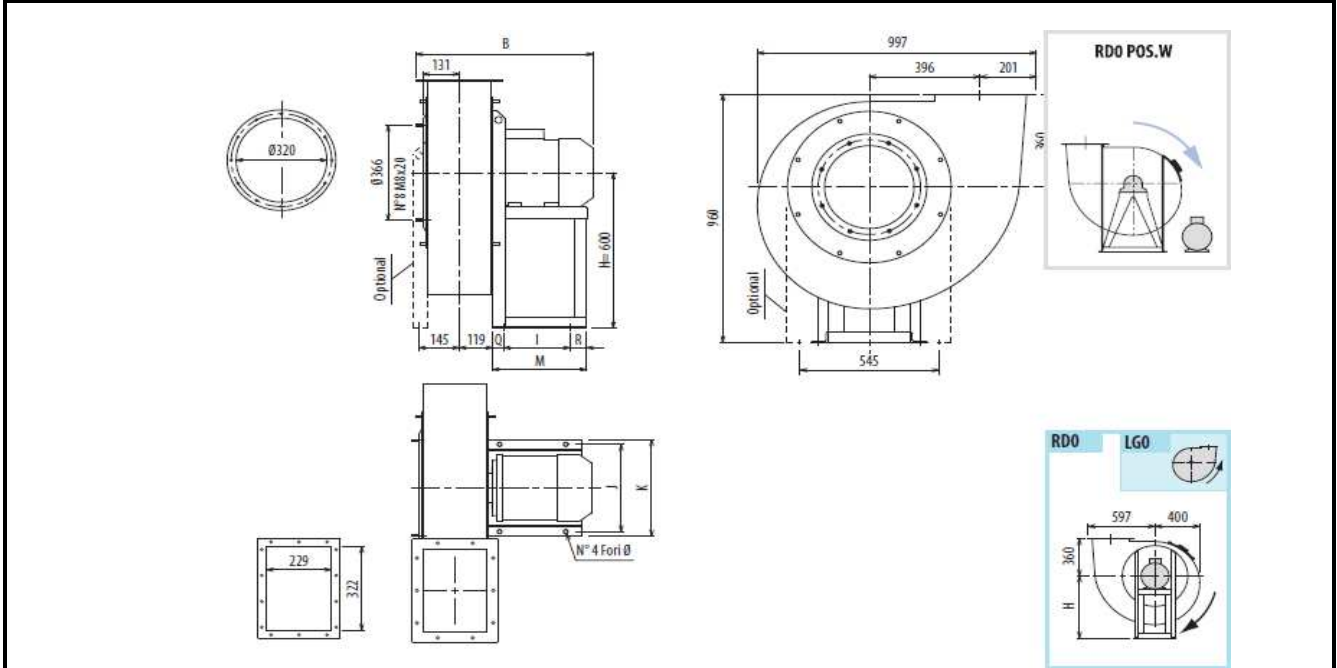
A Hrubínova 1903/9, 66451 Šlapanice, CZ

IČ 05226953 IČ DPH CZ05226953

E info@ggf.cz W www.ggf.cz

ITEM1

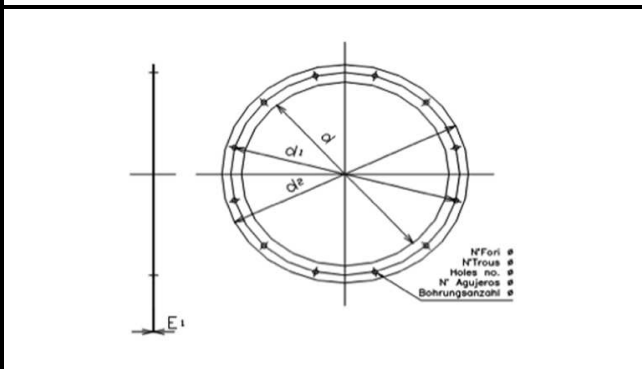
Document printed by Aeraulica - Dimensions and performances can be changed without prior notice



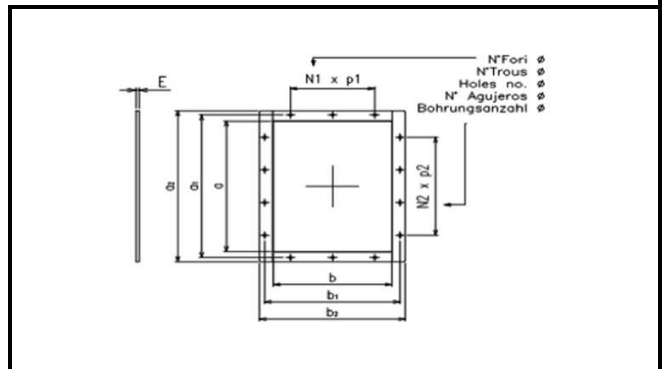
Indicative measures in the standard configuration. For detailed information contact your reference.

Indicative value of weight including standard motor.

B	I	H	H1	H2	J	K	M	Q	R	Φ	PD2	kg
640	237	600	360	600	337	372	346	44	64	12	1,8	145



Cod	dxn°	d1	d2	Φ	E1
0320 A	320x8	366	400	12	4



Cod	axb	a1	b1	a2	b2
0322x0229	322x229	366	273	402	309

N1xp	N2xp	n°	Φ	E
1x125	2x125	10	12	4
