

TECHNICAL DATA SHEET

RADIAL FAN nr. AFGG-40_15



G&G filtration CZ, s.r.o.

A Hrubínova 1903/9, 66451 Šlapanice, CZ
 IČ 05226953 IČ DPH CZ05226953
 E info@ggf.cz W www.ggf.cz

ITEM1

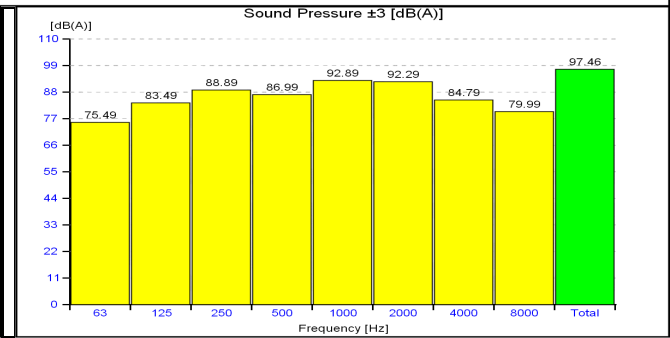
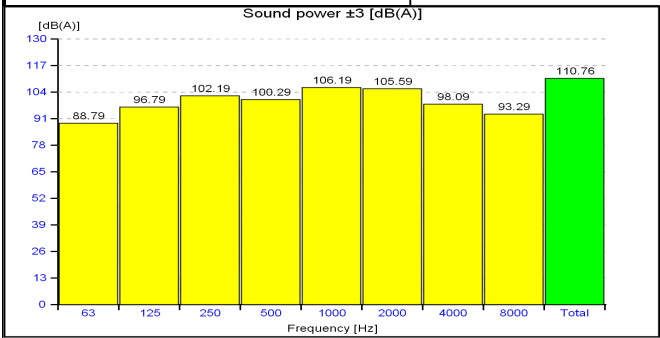
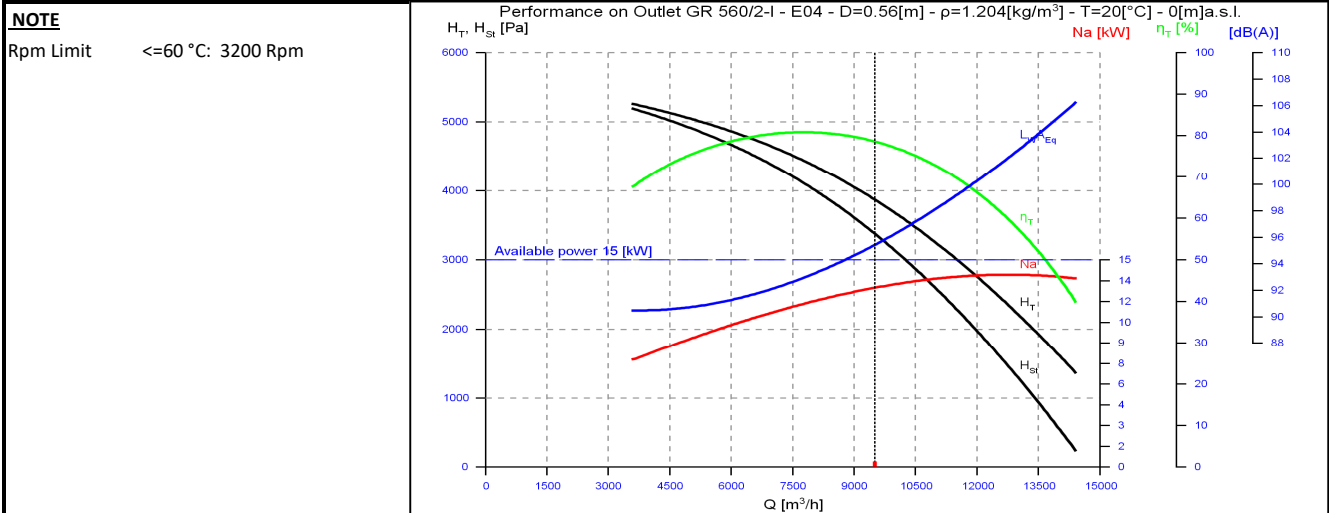
Document printed by Aeraulica - Dimensions and performances can be changed without prior notice

| Type and characteristics of the requested machine | | performance on | | Outlet |
|---|-------------|--|--|---------------|
| Flow rate | 9500 [m3/h] | Capacity (Normal) | | 8852 [Nm3/h] |
| Total pressure | 4000 [Pa] | Static pressure | | |
| Working fluid temperature | 20 [°C] | Fluid specific weight | | 1.204 [Kg/m3] |
| Installation altitude | 0 asl [m] | Specific weight std (20 [°C], 0 asl [m]) | | 1.204 [Kg/m3] |

| Suggested model and effective characteristics | | | | performance on | | Outlet |
|---|------------|---------------|-----|---|--|----------------|
| Model | GR 560/2-I | Execution | E04 | Installation Type | A (free inlet and outlet) | |
| Fluid specific weight | 1.204 | 1.204 [Kg/m3] | | Revolution fan speed | | 2935 [rpm] |
| Total pressure | 3867 | 3867 [Pa] | | Orientation | | RD 0 |
| Static pressure | 3377 | 3377 [Pa] | | Sound power LwA | | 110.76 [dB(A)] |
| Flow rate | 9500 | 9500 [m3/h] | | Sound pressure at mt.1.5 1/2 sf in open field | | 97.46 [dB(A)] |
| Capacity (Normal) | 8852 | 8852 [Nm3/h] | | Pipings | s>3mm = +3dB; 1mm<s<3mm = +4,5dB; s<1mm = +6dB | |
| Power dem. at shaft | 12.99 | 12.99 [kW] | | Fan efficiency | Outlet | 78.57 % |
| Motor power demand | 12.99 | 12.99 [kW] | | | | |

| Characteristics of chosen motor | | | | Motor efficiency IEC 60034-30 | | | IE3 | PD ² impeller | 2.4 | kgm ² | | |
|---------------------------------|----------------|----------|----|-------------------------------|------|------|------|--------------------------|------|-----------------------|------|------------------|
| Code | 160MB2-50/std3 | shape | B3 | Efficiency | 91.9 | 92.1 | 91.2 | PD ² needed | 2.36 | kgm ² | | |
| Rated power | 15.0 [kW] | n° poles | 2 | rpm | 2960 | Load | 100% | 75% | 50% | PD ² motor | 16.9 | kgm ² |

| ErP 2009/125/CE Regulament (UE) N. 327/2011 | | | | Notes | | | | |
|---|-----------------|--------------|---------|-----------|-------------|------------------|-----------|---|
| Efficiency grade | 64 | | | N | 74.2 | Total efficiency | 74.4 | % |
| Impeller type | backward blades | Type of test | B/total | Flow rate | 7758 [m3/h] | Pressure | 4109 [Pa] | |



values of the noise of fan obtained in ambient not reverberant with inlet and outlet ducts fully insulated

TECHNICAL DATA SHEET

RADIAL FAN nr. AFGG-40_15



G&G filtration CZ, s.r.o.

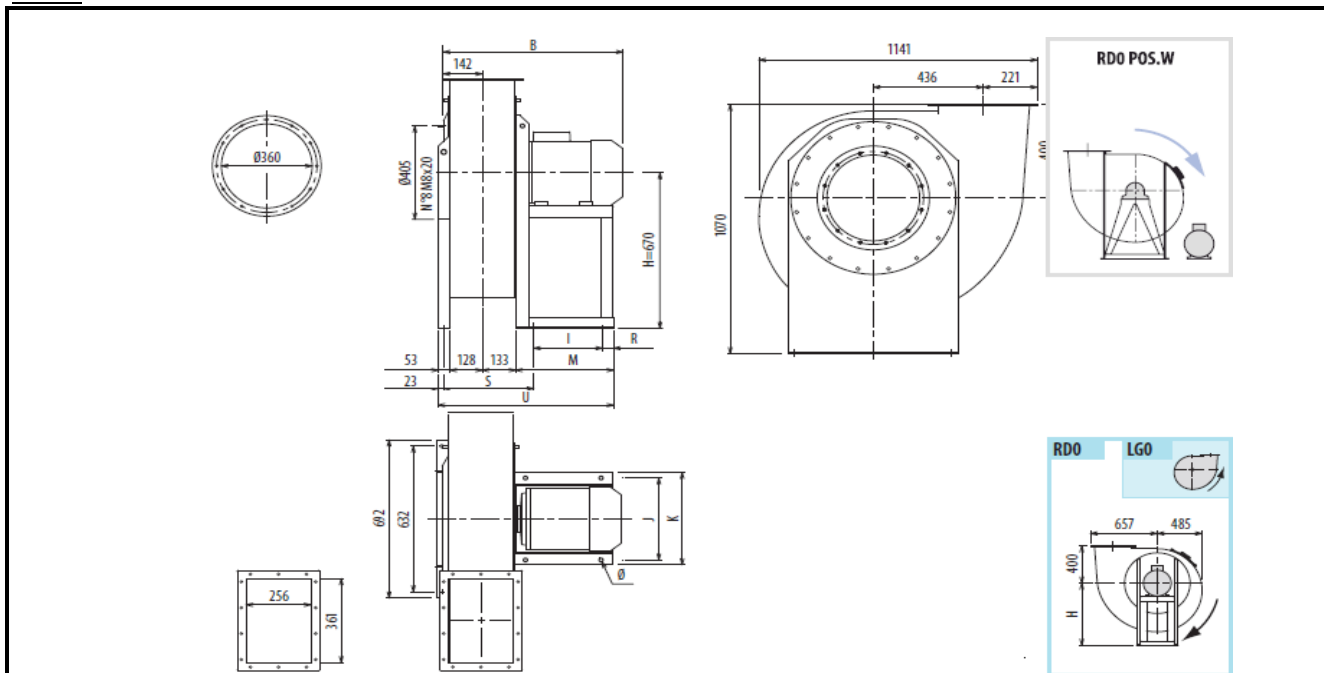
A Hrubínova 1903/9, 66451 Šlapanice, CZ

IČ 05226953 IČ DPH CZ05226953

E info@ggf.cz W www.ggf.cz

ITEM1

Document printed by Aeraulica - Dimensions and performances can be changed without prior notice

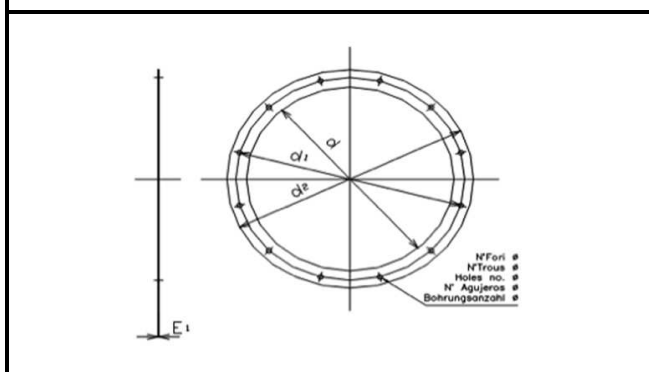


Indicative measures in the standard configuration. For detailed information contact your reference.

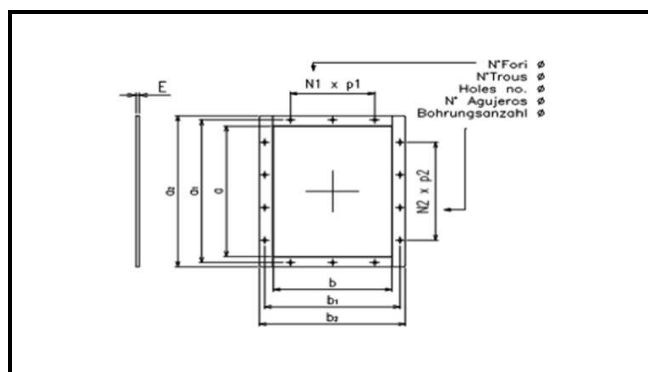
Indicative value of weight including standard motor.

| B | I | H | H1 | H2 | J | K | M | Q | S | U | Φ | PD2 |
|-----|-----|-----|-----|-----|-----|-----|-----|----|-----|-----|----|-----|
| 792 | 337 | 670 | 400 | 670 | 395 | 440 | 446 | 54 | 340 | 754 | 14 | 2,4 |

| kg | | | | | | | | | | | | |
|-----|--|--|--|--|--|--|--|--|--|--|--|--|
| 240 | | | | | | | | | | | | |



| Cod | dxn° | d1 | d2 | Φ | E1 |
|--------|-------|-----|-----|----|----|
| 0360 A | 360x8 | 405 | 440 | 12 | 4 |



| Cod | axb | a1 | b1 | a2 | b2 |
|-----------|---------|-----|-----|-----|-----|
| 0361x0256 | 361x256 | 405 | 300 | 441 | 336 |

| N1xp | N2xp | n° | Φ | E | |
|-------|-------|----|----|---|--|
| 1x125 | 2x125 | 10 | 12 | 4 | |